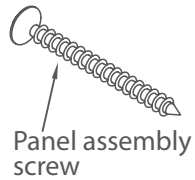


# Series 600 Aluminum Multi-Slide Door



## Premium Handle Bottom Rail Panel Bumper Stop: Set for Thermal Break

Hole locations are critical in avoiding damage to glass and hardware.



Lead stile

Bumper base

Bumper attachment screw

Bumper stop

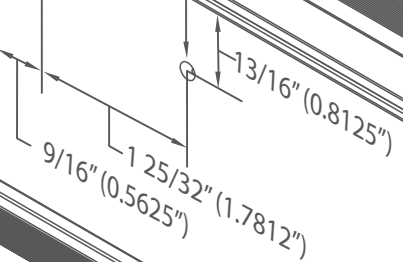
**Note:** This bumper is used for multi-slide doors with premium handles.

Use template to locate mounting holes.

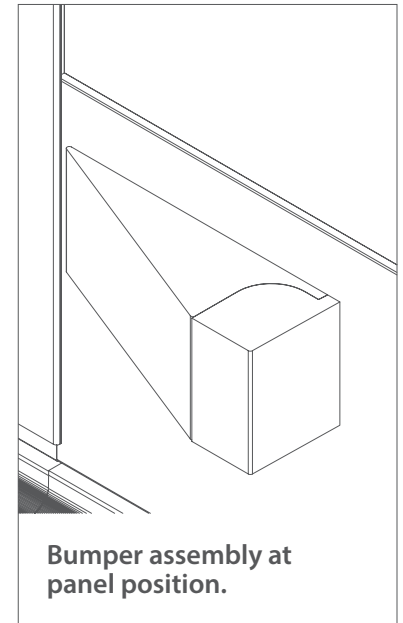
07/32" x 3/8"  
Deep hole for pin

01/8" x 1.00"  
Deep hole for screw attachment

Exterior



Bottom rail

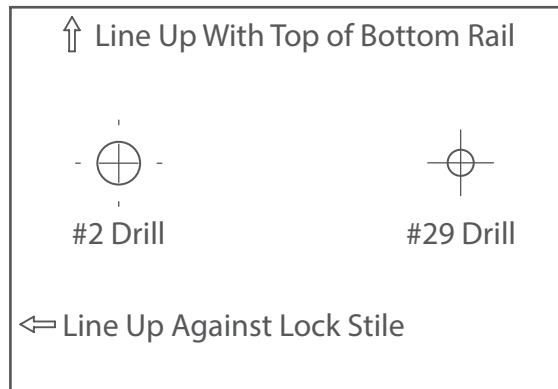


These drawings are for identification purposes only. Do not use for production runs.

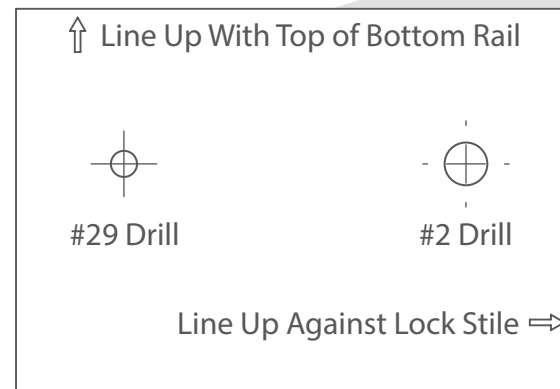
# Door Stop Templates



## Series 600 Aluminum Multi-Slide Door



XO Configuration



OX Configuration